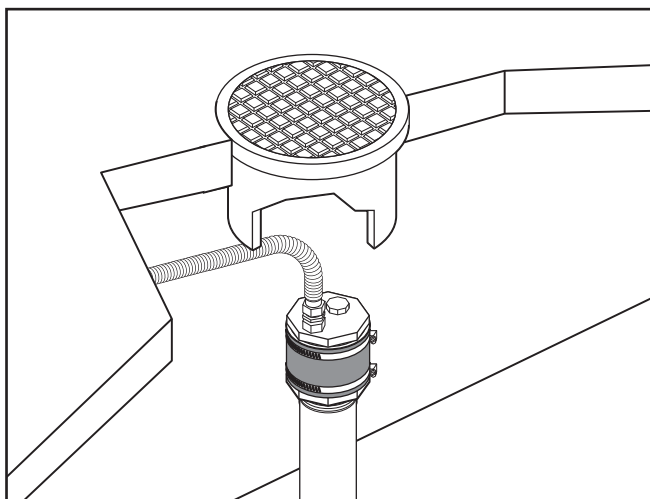


RAYCHEM TraceTek

TT-TK

nVent RAYCHEM TraceTek Tank Kit Installation Instructions



DESCRIPTION

The nVent RAYCHEM TraceTek TT-TK Tank Kit is designed for use as an entry port for installing TraceTek sensing cables in the interstitial space of a double wall tank. The TT-TK can be used with two different configurations depending on the TraceTek system employed. (See figures 1 and 2 on page 2.)

TOOLS REQUIRED

- Screwdriver
- Adjustable wrench
- Strap wrench or C wrench
- nVent RAYCHEM heat gun or flameless heating tool

ADDITIONAL MATERIALS REQUIRED

- Teflon sealing tape

For configuration shown in Figure 1:

- nVent RAYCHEM TraceTek TT-MBC-MC Modular Branching Connector

For configuration shown in Figure 2:

- nVent RAYCHEM TraceTek TT-PFT-3/4-MC Pressure Feedthrough Fitting

INSTALLATION NOTES

- Use Teflon tape to seal all threaded surfaces.
- Do not use pipe dope.

KIT CONTENTS

Item	Qty	Description
1	1	TT-PFT-3/4-MC Pressure Feedthrough Fitting
1	1	3/4-inch NPT plug (PVC)
1	1	3-inch slip cap (PVC)
1	1	Fuel resistant rubber body
2	2	Pipe clamps (stainless steel)
1	1	3-inch step-down (PVC)

WARNING:

Fire Hazard. Heat guns and flameless heating tools can cause fire or explosion in hazardous areas.

Be sure there are no flammable materials or vapors in the area before using these tools. Follow all site safety guidelines when working in hazardous areas.

- Overheating heat-shrinkable tubing or solder sleeves will produce fumes that may cause irritation. Use adequate ventilation and avoid charring or burning. Consult MSDS RAY/3122 and RAY/5104 for further information.

Figure 1. Installation of two sensing cables using a Modular Branching Connector (for use with locating systems). If only one sensing cable is installed, the MBC is not required.

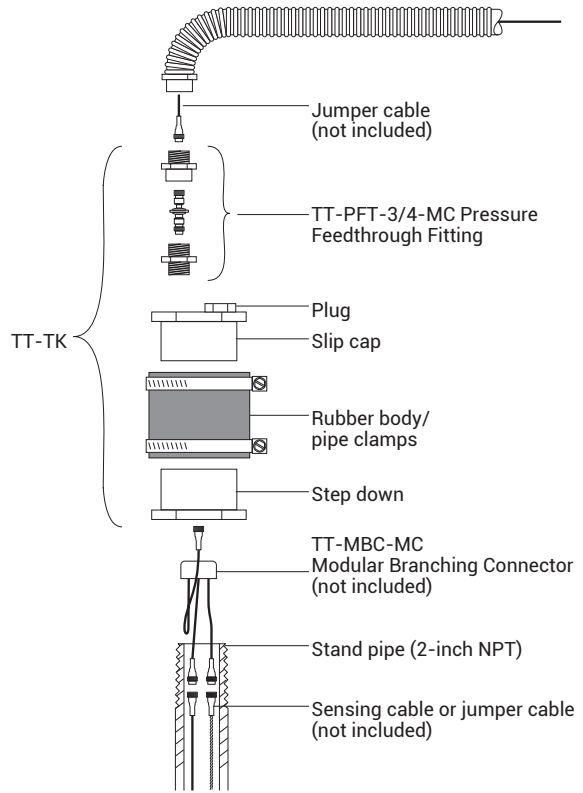
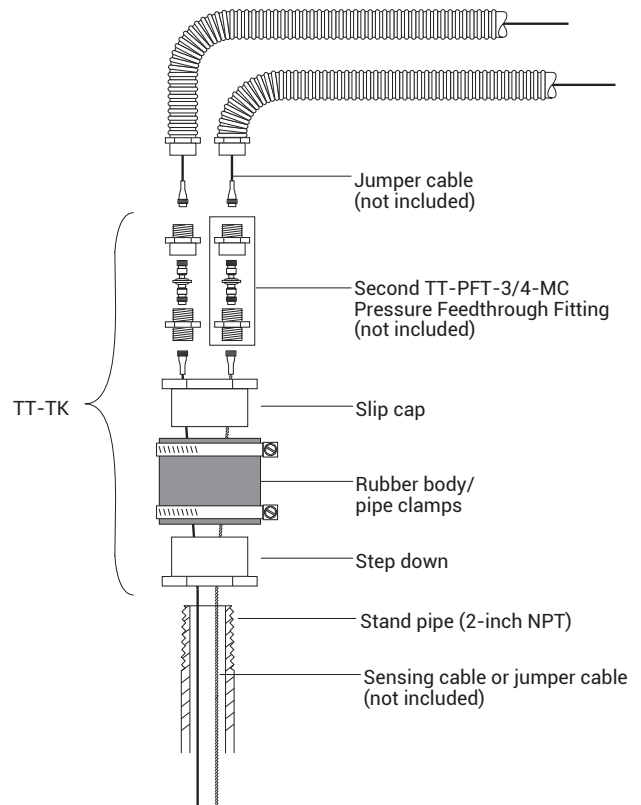
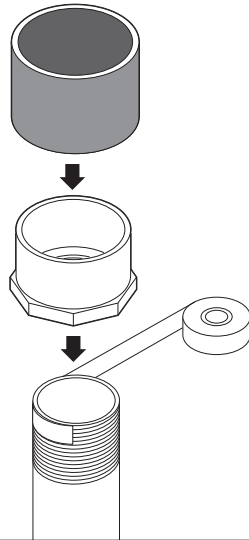


Figure 2. Installation of two sensing cables using an additional Pressure Feedthrough Fitting (for use with single or multiple channel alarm-only systems).



1

- Apply Teflon tape to the outer threads on the standpipe.
- Screw the step-down onto the standpipe.
- Using a strap wrench or a C wrench, tighten to one-half turn past hand tight.
- Slide rubber body onto step down



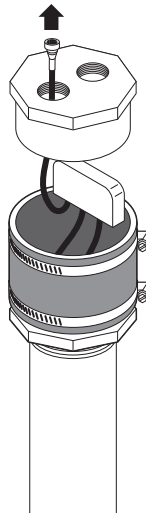
2

- Assemble the TraceTek jumper cable, sensing cable, and end termination in accordance with the instructions supplied with the sensing cable.
- Install sensing cable assemblies into the tank interstitial space.
- Attach sensing cables to Modular Branching Connector TT-MBC-MC, if used, at this point. Remember to install the heat-shrinkable tubing over all mated metal connectors.



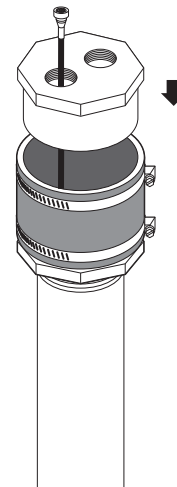
3

- Place clamps loosely over rubber body.
- Draw the pin type connector of the jumper cable, sensing cable or branch connector up through the underside of the slip cap.
- Gently place the MBC and any extra jumper cable inside the riser and TT-TK rubber body.



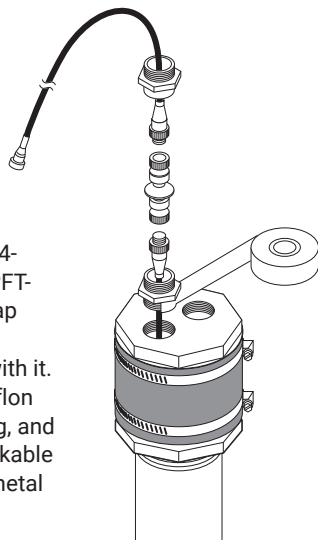
4

- Slide the slip cap into the rubber body.
- Position the two pipe clamps 1/4-inch from the top and bottom of the rubber body and tighten with a screwdriver.



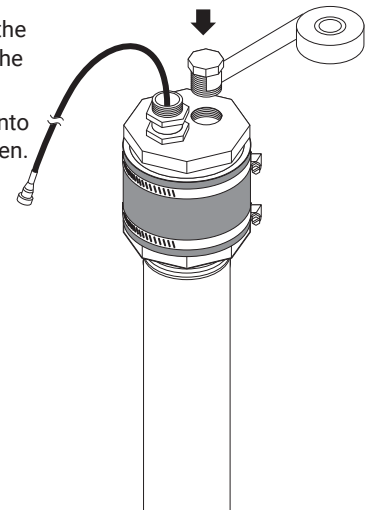
5

- Connect to the jumper cable via the TT-PFT-3/4-MC and install the TT-PFT-3/4-MC onto the slip cap in accordance with the instructions supplied with it. Remember to apply Teflon tape to the screw fitting, and to install the heat-shrinkable tubing over all mated metal connectors.



6

- Apply Teflon tape to the threaded surface of the 3/4-inch plug.
- Screw the PVC plug into the slip cap and tighten.



North America

Tel +1.800.545.6258
Fax +1.800.527.5703
thermal.info@nvent.com

Europe, Middle East, Africa

Tel +32.16.213.511
Fax +32.16.213.604
thermal.info@nvent.com

Asia Pacific

Tel +86.21.2412.1688
Fax +86.21.5426.3167
cn.thermal.info@nvent.com

Latin America

Tel +1.713.868.4800
Fax +1.713.868.2333
thermal.info@nvent.com



nVent.com