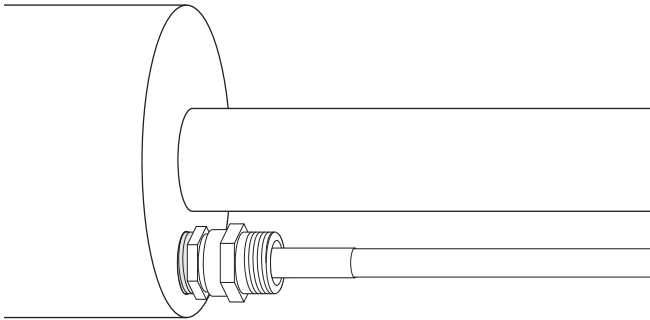




RAYCHEM
TraceTek

TT-PFT-3/4-MC, TT-PFT-3/4-SS/MC

Pressure Feed-Through Fitting Installation Instructions



DESCRIPTION

The nVent RAYCHEM TraceTek TT-PFT-3/4-MC (brass) and TT-PFT-3/4-SS/MC (stainless steel) are feed-through fittings used to transition through containment systems. They are suitable for NEMA 4 environments and are rated for continuous exposure to 150 psi containment pressure.

TOOLS REQUIRED

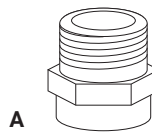
- 12-inch adjustable wrench
- Heat gun (Ultratorch) or flameless heating tool

ADDITIONAL MATERIALS REQUIRED

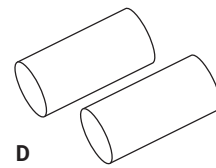
- Teflon sealing tape

KIT CONTENTS

Item	Qty	Description
A	1	PFT body (non-containment side)
B	1	PFT nipple (containment side)
C	1	PFT bulkhead connector
D	2	Heat-shrinkable tube



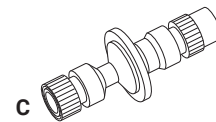
A



D



B



C

WARNING:

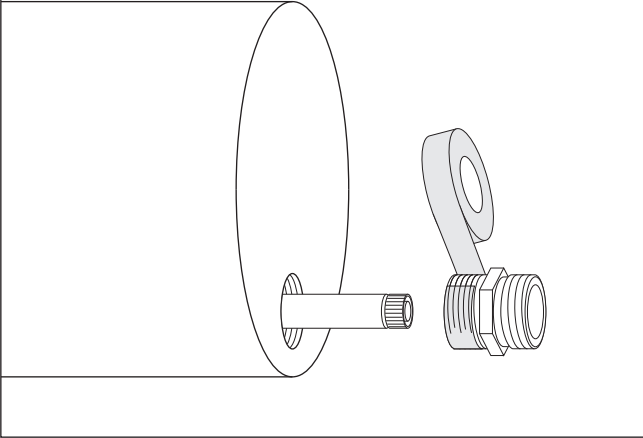
Fire Hazard: Heat guns and flameless heating tools can cause fire or explosion in hazardous areas. Be sure there are no flammable materials or vapors in the area before using these tools. Follow all site safety guidelines when working in hazardous areas.

- Follow all installation instructions carefully.
- Do not use pipe dope, it may contaminate the sensing cable.
- Do not substitute kit parts.
- Investigate leaks immediately.
- In acidic environments, the TT-PFT-3/4-MC should be replaced in the event of a leak.

Note: Factory recommended mounting positions are top and side only

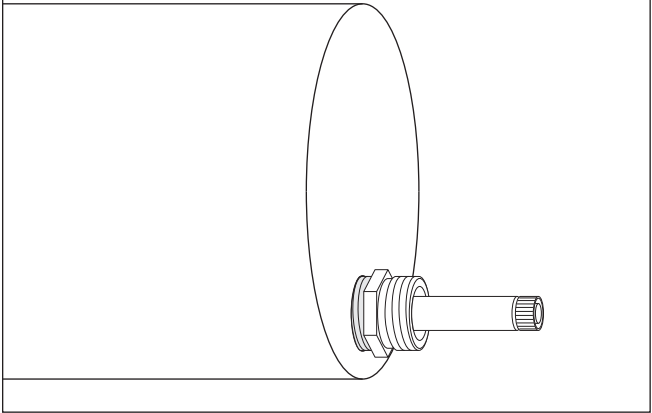
1

- Wrap Teflon tape around the 3/4 inch NPT thread of the PFT nipple. Be sure not to confuse the NPT threads with the coarser hose threads. Do not use pipe dope.



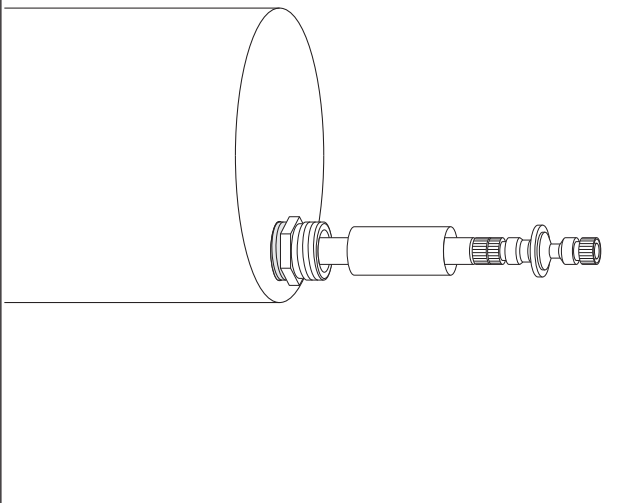
2

- Pull the end of the sensing cable out of the containment. Slip the PFT nipple over the sensing cable, NPT threads first. Using a wrench, tighten the PFT nipple into the threaded containment entry.



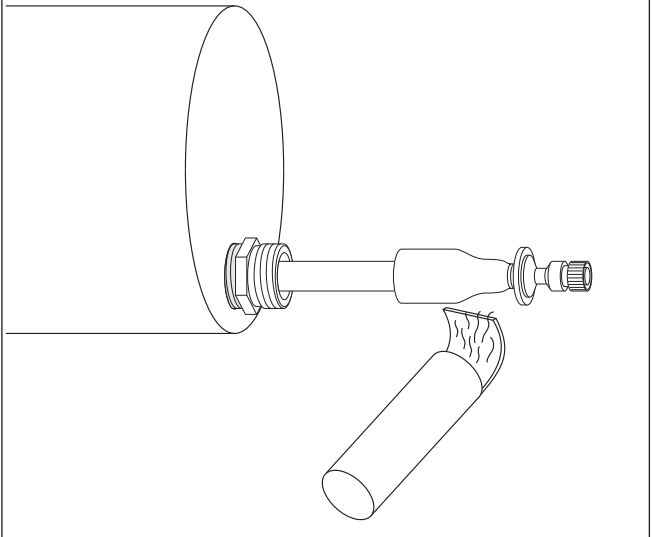
3

- Slip the heat-shrinkable tube over the sensing cable. Connect the sensing cable to the end of the bulkhead connector. **NOTE:** The bulkhead connector has both pin and socket ends. Use the end that mates to the sensing cable. (The bulkhead connector will fit into the PFT body in either orientation).



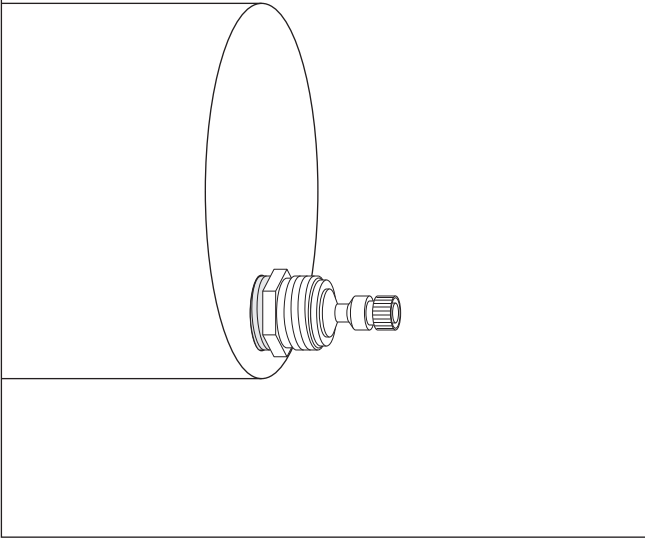
4

- Shrink the heat-shrinkable tube over the mated connectors using a flameless heating tool. Do not cover the large diameter area of the PFT bulkhead connector with the tube. Be careful not to burn the bulkhead connector body.



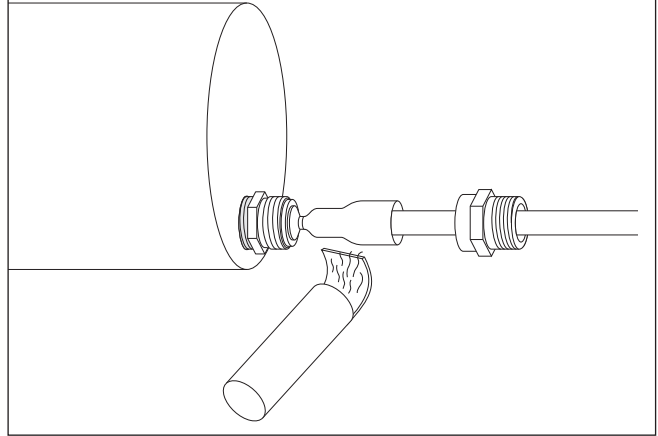
5

- Seat the bulkhead connector in the PFT nipple.



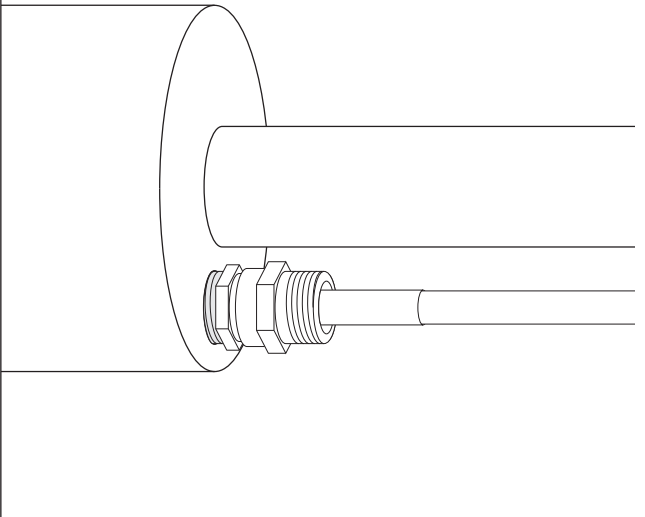
6

- Prepare the connecting jumper cable or sensing cable by slipping the PFT body over the connecting cable, NPT threads first. Slip the second heat-shrinkable tube over the connecting cable. Connect the outside cable to the bulkhead connector. Shrink the tube over the mated connection.



7

- Hand tighten the PFT body onto the PFT nipple. Finish tightening with a wrench 1/6 turn (do not over-tighten). Jumper cable to be installed per local codes. If a junction box is used, fasten the PFT body to the junction box with a 3/4 inch lock nut.



North America

Tel +1.800.545.6258
Fax +1.800.527.5703
thermal.info@nvent.com

Europe, Middle East, Africa

Tel +32.16.213.511
Fax +32.16.213.604
thermal.info@nvent.com

Asia Pacific

Tel +86.21.2412.1688
Fax +86.21.5426.3167
cn.thermal.info@nvent.com

Latin America

Tel +1.713.868.4800
Fax +1.713.868.2333
thermal.info@nvent.com



nVent.com